

**Parts List**

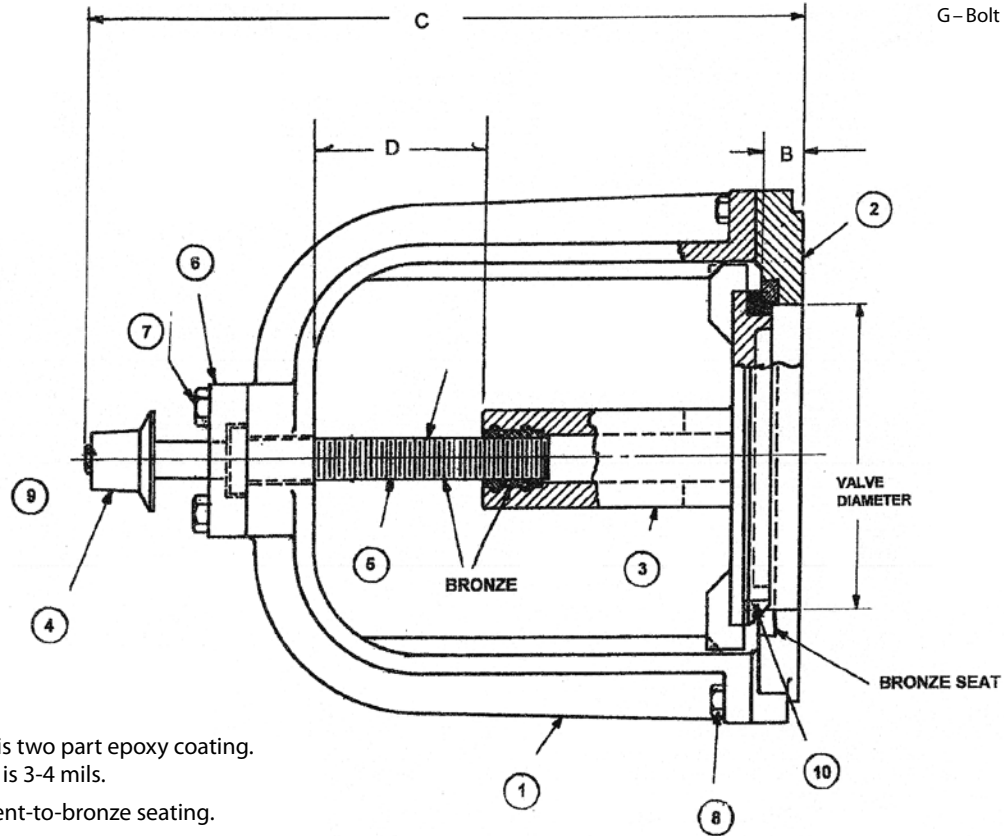
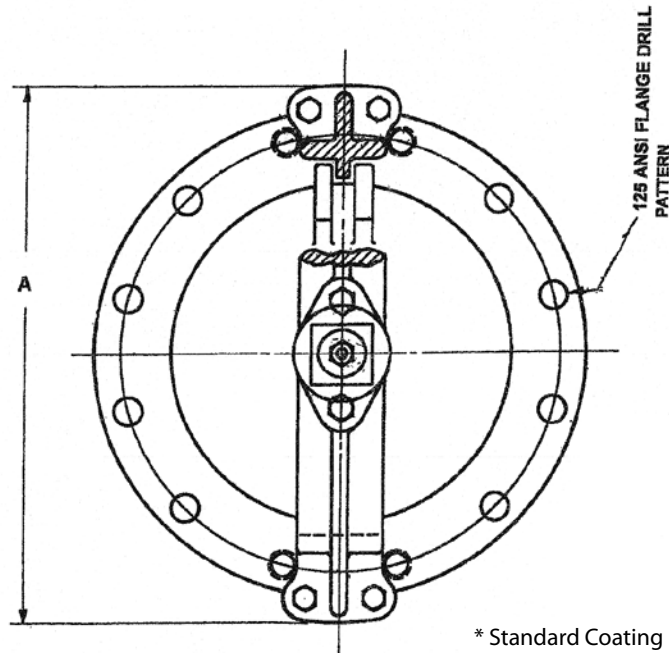
| Item | Description           | Required | Material  | ASTM |             |
|------|-----------------------|----------|-----------|------|-------------|
| 1    | Yoke                  | 1        | Cast Iron | A126 | CL B        |
| 2    | Frame w/Br. Seat Ring | 1        | Cast Iron | A126 | CL B        |
| 3    | Plug                  | 1        | Cast Iron | A126 | CL B        |
| 4    | Wrench Nut            | 1        | Cast Iron | A126 | CL B        |
| 5    | Stem                  | 1        | Bronze    | B138 | Alloy 675   |
| 6    | Stem Cap              | 1        | Cast Iron | A126 | CL B        |
| 7    | Cap Screw             | 2        | Steel     |      | ASA B16.6.2 |
| 8    | Cap Screw             | 4        | Steel     |      | GR B Plated |
| 9    | Cap Nut               | 1        | Steel     |      | GR B Plated |
| 10   | Plug Seat             | 1        | BUNA-N    |      |             |

**A25600RB Mud Valve, Non-Rising Stem IBBM**

| Size     | 3      | 4      | 6       | 8      | 10     | 12      | 14     | 16      | 18     | 20      | 24      |
|----------|--------|--------|---------|--------|--------|---------|--------|---------|--------|---------|---------|
| <b>A</b> | 8 3/4  | 10     | 12 5/16 | 15     | 17 5/8 | 20 3/16 | 22 7/8 | 25 5/16 | 28 1/8 | 30 1/2  | 35 3/4  |
| <b>B</b> | 3/4    | 1 1/4  | 1       | 1 1/8  | 1 3/16 | 1 1/4   | 1 3/8  | 1 7/16  | 1 9/16 | 1 11/16 | 1 7/8   |
| <b>C</b> | 11 3/8 | 14 3/4 | 16 3/8  | 19 3/8 | 22 7/8 | 24 3/4  | 27 1/4 | 29 7/8  | 32 3/4 | 37      | 41 7/8  |
| <b>D</b> | 1 3/4  | 1 7/8  | 3 1/8   | 4 9/16 | 5 3/8  | 6 9/16  | 7 7/8  | 8 7/16  | 8 7/8  | 9 7/8   | 12 1/16 |
| <b>E</b> | 3/4    | 3/4    | 7/8     | 7/8    | 8      | 1       | 1 1/8  | 1 1/8   | 1 1/4  | 1 1/4   | 1 3/8   |
| <b>F</b> | 4      | 6      | 6       | 8      | 8      | 10      | 10     | 14      | 14     | 18      | 20      |
| <b>G</b> | 6      | 7 1/2  | 9 1/2   | 11 3/4 | 14 1/4 | 17      | 18 3/4 | 21 1/4  | 22 3/4 | 25      | 29 1/2  |

\* Other than the side projections for the yoke, Dimension 'A', the flange diameter is the standard ANSI dimension for the given valve size.

E - Diameter of Holes  
 F - Number of Holes Used  
 G - Bolt Circle Diameter



- \* Standard Coating is two part epoxy coating. Dry film Thickness is 3-4 mils.
- \* Bubble tight resilient-to-bronze seating.

|                               |   |
|-------------------------------|---|
| MATERIAL:                     | <b>MUD VALVE—NON-RISING STEM (RESILIENT TO BRONZE SEAT)</b> |
| DATE:                         |   |
| <b>TROY VALVE</b><br>Troy, PA | NO. <b>A25600RB</b>   |

---

## **MUD VALVES**

- **Troy Valve** Mud Valves are designed for use in drain lines found in waterworks and wastewater treatment basins, irrigation, industrial applications, and fluid retaining basins. Mud valves are available in both non-rising and rising stem versions. **Troy Valve** manufactures mud valves in a cast iron model as well as a stainless steel model in order to meet the needs of a wide variety of applications.
- Custom extension stems made to material type, diameter, and length specified may be manufactured by **Troy Valve**. Operators such as hand wheels, 2" AWWA square nut and floor stands may be used with the valve extension stem. The custom length required and material required must be stated when the order is placed.

*Troy Valve.....simply the best.*

---

**TROY VALVE**

A Division of Penn-Troy Manufacturing Inc.

**Toll Free: (800) 232-4442 ▪ [sales@troyvalve.com](mailto:sales@troyvalve.com)**

650 Railroad Street, Troy, PA 16947 ▪ Ph: (570) 297-4442 Fax: (570) 297-4136

---

---

## **CAST IRON MUD VALVES**

### **Cast Iron Mud Valve Specifications**

- The mud valve shall be of the heavy duty flanged type designed to provide a positive seal under both seating and unseating head conditions. The valves shall be (non-rising, rising stem) stem style as detailed on the schedule or the plans. The frame, plug, and yoke shall be cast iron (A126B). The valve operating stem and lift nut shall be bronze (B421). The seat ring shall be bronze (B62), with an accurately machined tapered seating face. The plug seat shall be a seamless molded, tapered resilient ring of BUNA-N, designed to accurately mate with the seat ring for a positive seal.
- Where required the manufacturer shall provide valve operating stems, floor stands, and stem guides as specified in the valve schedule or plans.
- The mud valves are to be coated using TNEMEC Pota Pox two-part epoxy, NSF approved coating. Standard coating is one coat of 3-4 mils dry film thickness.
- Valves and accessories shall be manufactured by Troy Valve model A25600RB (non-rising stem), A25612 (rising stem), or approved equal.

### **Stainless Steel Mud Valve Specifications**

The Mud Valve shall be of the flanged type and designed to provide a positive seal under both seating and unseating head conditions. The valve shall be non-rising or rising stem style. Frame, Plug, Operating Stem, Yoke and Seating surface shall be stainless Steel. The Plug Seat shall be nitrate buna-n for a positive seal.

Where required, the manufacturer shall provide valve operating stems, floor stands, and stem guides as specified in the valve schedule or plans.

Valves and accessories shall be manufactured by Troy Valve model A25600\_NRS\_(316 or 304) or approved equal.

*Troy Valve.....**simply the best.***

---

**TROY VALVE**

A Division of Penn-Troy Manufacturing Inc.

**Toll Free: (800) 232-4442 ■ [sales@troyvalve.com](mailto:sales@troyvalve.com)**

**650 Railroad Street, Troy, PA 16947 ■ Ph: (570) 297-4442 Fax: (570) 297-4136**

---

## **MUD VALVES**

### **Operation**

- The valve is opened by rotating operating mechanism in a counter clockwise direction (open left).
- The valve is closed by rotating the operating mechanism in a clockwise direction (close right).
- The valve operating mechanism may be a 2" square nut, hand wheel, or floor stand connected to the mud valve, using an extension stem that is attached directly to the valve stem using a coupling.

### **Maintenance**

- The body, yoke, plug, and frame of the cast iron mud valves are preserved with a two-part epoxy coating that is NSF approved for applications in both potable water and waste water applications. Stainless Steel Mud Valves do not have a coating.
- Lubrication: the valve is lubricated after manufacture with a white food-quality grease. The stem and lifting nut in the plug should be lubricated with a quality grease when the valve is accessible due to general tank maintenance.

### **Installation**

- The valve shall be mounted to a standard 125-lb. flange. The mud valve should be recessed so that the top of the valve flange is flush with the floor to allow complete drainage. Precaution must be taken during installation to prevent damage to the bronze seat in the frame from heavy grit (concrete, etc.) to prevent gouging of the machined seat face.

### **Parts**

- Parts are available from Troy Valve, Troy, PA.

***Troy Valve.....simply the best.***

---

**TROY VALVE**

A Division of Penn-Troy Manufacturing Inc.

**Toll Free: (800) 232-4442 ■ [sales@troyvalve.com](mailto:sales@troyvalve.com)**

**650 Railroad Street, Troy, PA 16947 ■ Ph: (570) 297-4442 Fax: (570) 297-4136**

---