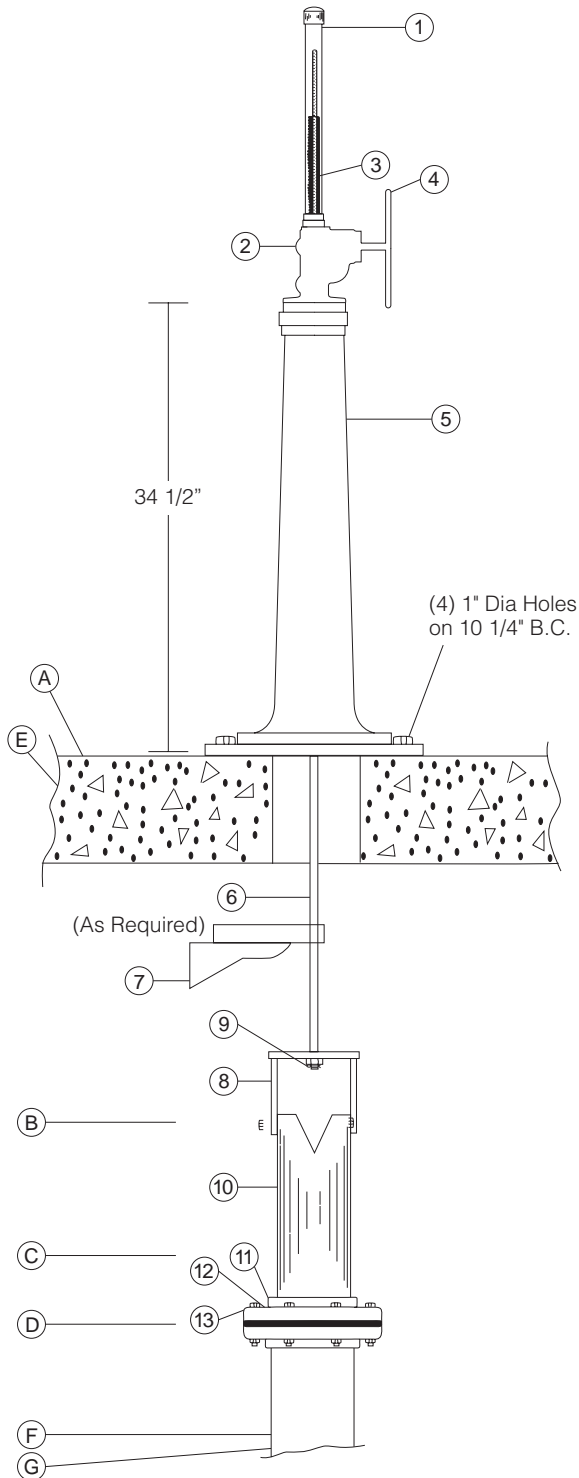


Troy Valve Dimensional Data Sheet

“Safety Lock” Self Locking Rack & Pinion Rising Stem Telescoping Valve Through Floor Mounting



ITEM	DESCRIPTION	MATERIAL
1	RACK COVER	ACRYLIC
2	GEAR OPERATOR	C.I. & STEEL
3	RACK	STEEL
4	HANDWHEEL	CAST IRON
5	FLOORSTAND	CAST IRON
6	LIFT ROD	STAINLESS STEEL
7	STEM GUIDE, BUSHED	DUCTILE IRON & BRZ.
8	BAIL	STAINLESS STEEL
9	JAM NUT	STAINLESS STEEL
10	SLIP TUBE	STAINLESS STEEL
11	GASKET RETAINER	STAINLESS STEEL
12	SPLIT GASKET	BUNA-N
13	FLANGE	CAST IRON

CONTRACTOR TO PROVIDE INFORMATION	
A Floor Elevation	D Flange Elevation
B High Water Elevation	E Floor Thickness
Vee Notch <input type="checkbox"/> Required <input type="checkbox"/> Not Required	F Riser Pipe Nominal Size
C Low Water Elevation	G Pipe Material

PROJECT: _____

CONTRACTOR: _____

SALES REPRESENTATIVE: _____

NO. REQ'D.: _____ **SIZE:** _____

SALES ORDER: _____

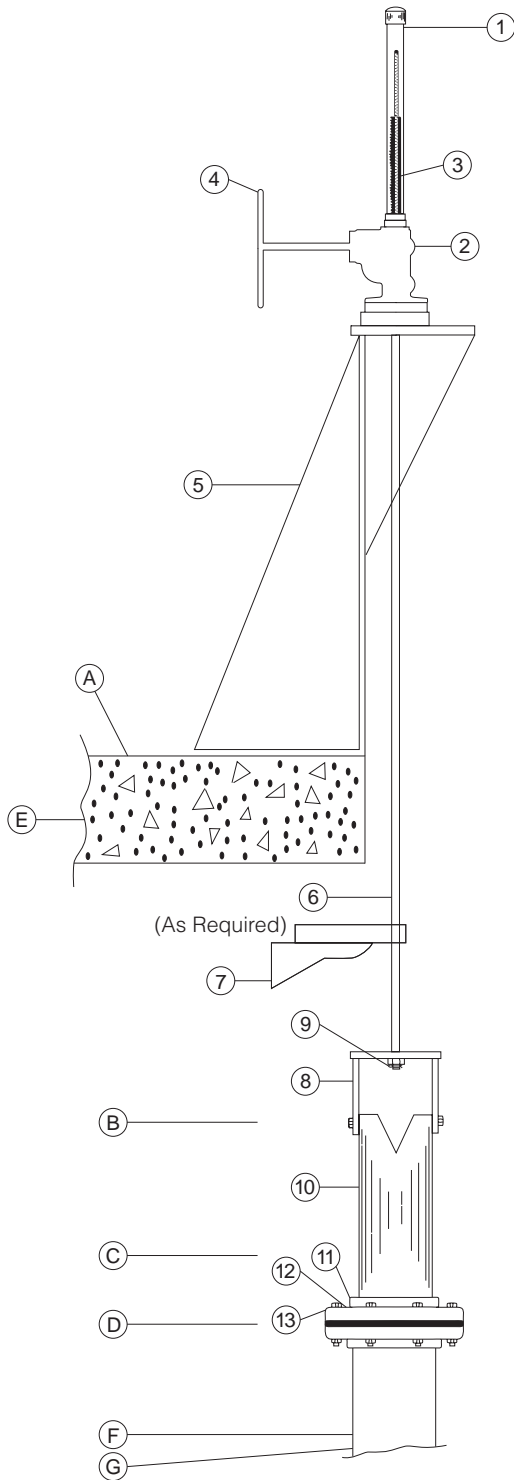
TROY VALVE

Phone: 800-232-4442 Fax: 570-297-4136
570-297-2125

Visit our website www.TROYVALVE.com

Troy Valve Dimensional Data Sheet

“Safety Lock” Self Locking Rack & Pinion Rising Stem Telescoping Valve Offset Floorstand



ITEM	DESCRIPTION	MATERIAL
1	RACK COVER	ACRYLIC
2	GEAR OPERATOR	C.I. & STEEL
3	RACK	STEEL
4	HANDWHEEL	CAST IRON
5	FLOORSTAND	DUCTILE IRON
6	LIFT ROD	STAINLESS STEEL
7	STEM GUIDE, BUSHED	DUCTILE IRON & BRZ.
8	BAIL	STAINLESS STEEL
9	JAM NUT	STAINLESS STEEL
10	SLIP TUBE	STAINLESS STEEL
11	GASKET RETAINER	STAINLESS STEEL
12	SPLIT GASKET	BUNA-N
13	FLANGE	CAST IRON

CONTRACTOR TO PROVIDE INFORMATION	
A Floor Elevation	D Flange Elevation
B High Water Elevation	E Floor Thickness
Vee Notch <input type="checkbox"/> Required <input type="checkbox"/> Not Required	F Riser Pipe Nominal Size
C Low Water Elevation	G Pipe Material

PROJECT: _____

CONTRACTOR: _____

SALES REPRESENTATIVE: _____

NO. REQ'D.: _____ **SIZE:** _____

SALES ORDER: _____

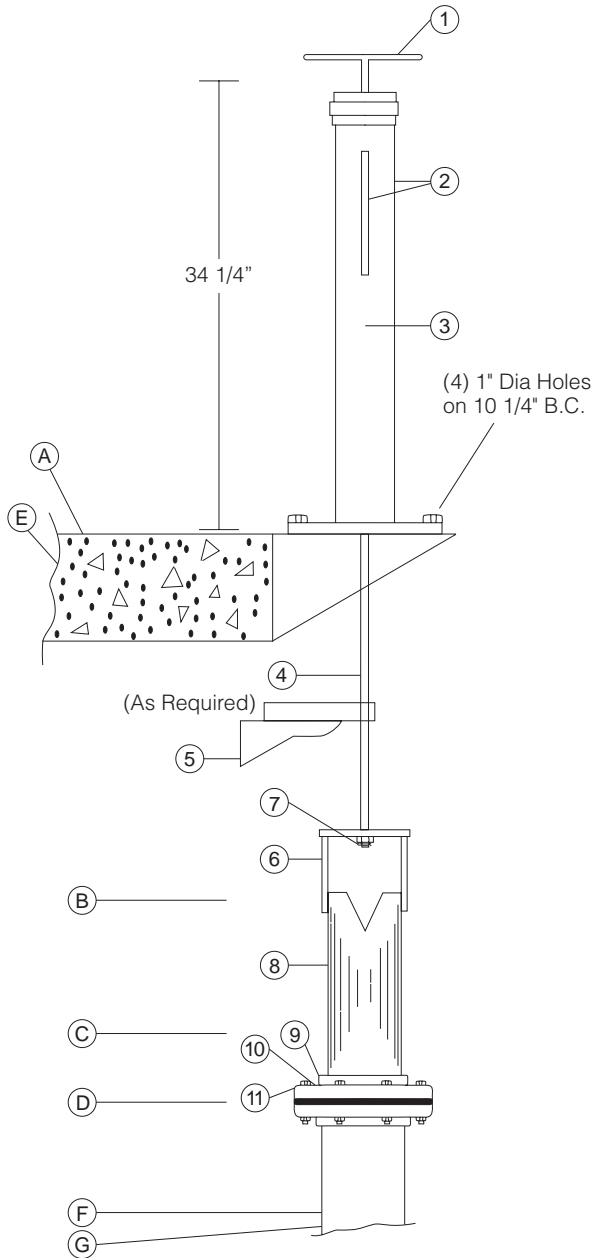
TROY VALVE

Phone: 800-232-4442 Fax: 570-297-4136
570-297-2125

Visit our website www.TROYVALVE.com

Troy Valve Dimensional Data Sheet

“Safety Lock” Self Locking Non Rising Telescoping Valve Bracket Mounted



ITEM	DESCRIPTION	MATERIAL
1	HANDWHEEL	CAST IRON
2	FLOORSTAND W/ POSITION INDICATORS	CAST IRON OR S.S.
3	TRAVEL TUBE (INTERNAL)	STAINLESS STEEL
4	LIFT ROD	STAINLESS STEEL
5	STEM GUIDE	DUCTILE IRON OR S.S.
6	BAIL	STAINLESS STEEL
7	JAM NUT	STAINLESS STEEL
8	SLIP TUBE	STAINLESS STEEL
9	GASKET RETAINER	STAINLESS STEEL
10	SPLIT GASKET	BUNA-N
11	FLANGE	CAST IRON

CONTRACTOR TO PROVIDE INFORMATION	
A Floor Elevation	D Flange Elevation
B High Water Elevation	E Floor Thickness
Vee Notch <input type="checkbox"/> Required <input type="checkbox"/> Not Required	F Riser Pipe Nominal Size
C Low Water Elevation	G Pipe Material

PROJECT: _____

CONTRACTOR: _____

SALES REPRESENTATIVE: _____

NO. REQ'D.: _____ **SIZE:** _____

SALES ORDER: _____

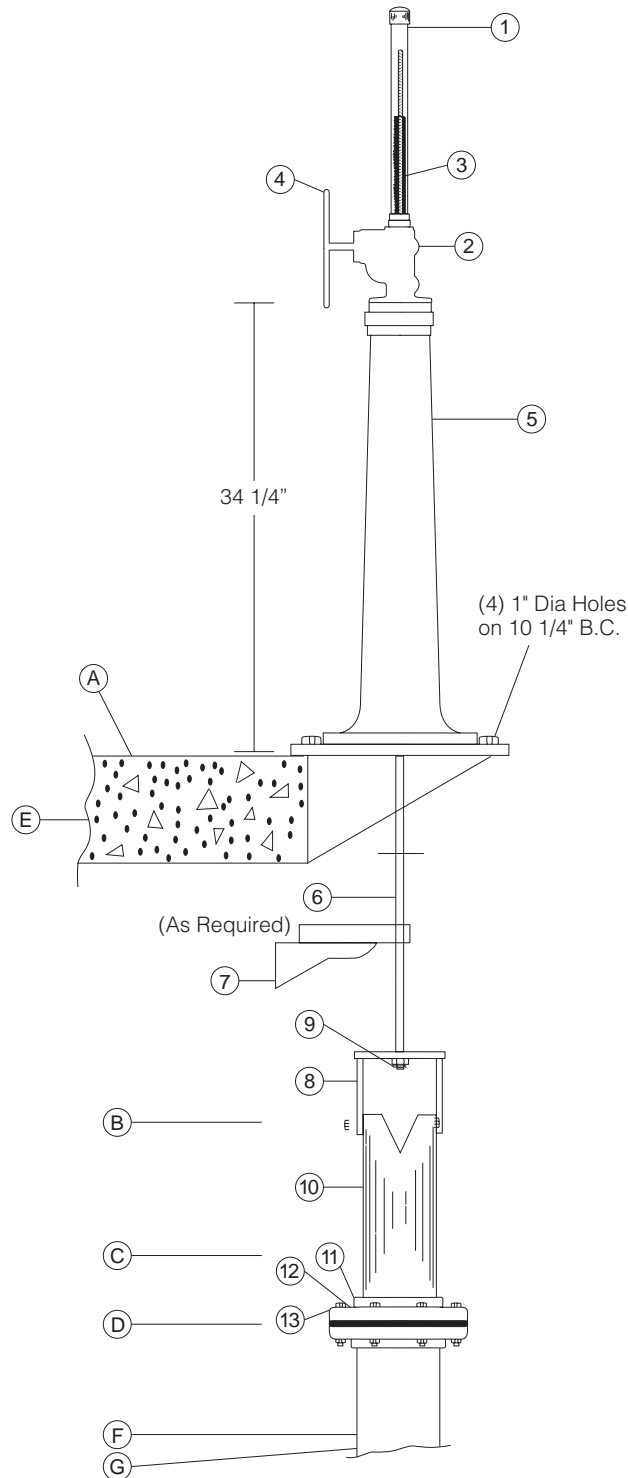
TROY VALVE

Phone: 800-232-4442 Fax: 570-297-4136
570-297-2125

Visit our website www.TROYVALVE.com

Troy Valve Dimensional Data Sheet

“Safety Lock” Self Locking Rack & Pinion Rising Stem Telescoping Valve Floorstand mounted on Bracket



ITEM	DESCRIPTION	MATERIAL
1	RACK COVER	ACRYLIC
2	GEAR OPERATOR	C.I. & STEEL
3	RACK	STEEL
4	HANDWHEEL	CAST IRON
5	FLOORSTAND	CAST IRON
6	LIFT ROD	STAINLESS STEEL
7	STEM GUIDE, BUSHED	DUCTILE IRON & BRZ.
8	BAIL	STAINLESS STEEL
9	JAM NUT	STAINLESS STEEL
10	SLIP TUBE	STAINLESS STEEL
11	GASKET RETAINER	STAINLESS STEEL
12	SPLIT GASKET	BUNA-N
13	FLANGE	CAST IRON

CONTRACTOR TO PROVIDE INFORMATION	
A Floor Elevation	D Flange Elevation
B High Water Elevation	E Floor Thickness
Vee Notch <input type="checkbox"/> Required <input type="checkbox"/> Not Required	F Riser Pipe Nominal Size
C Low Water Elevation	G Pipe Material

PROJECT: _____

CONTRACTOR: _____

SALES REPRESENTATIVE: _____

NO. REQ'D.: _____ **SIZE:** _____

SALES ORDER: _____

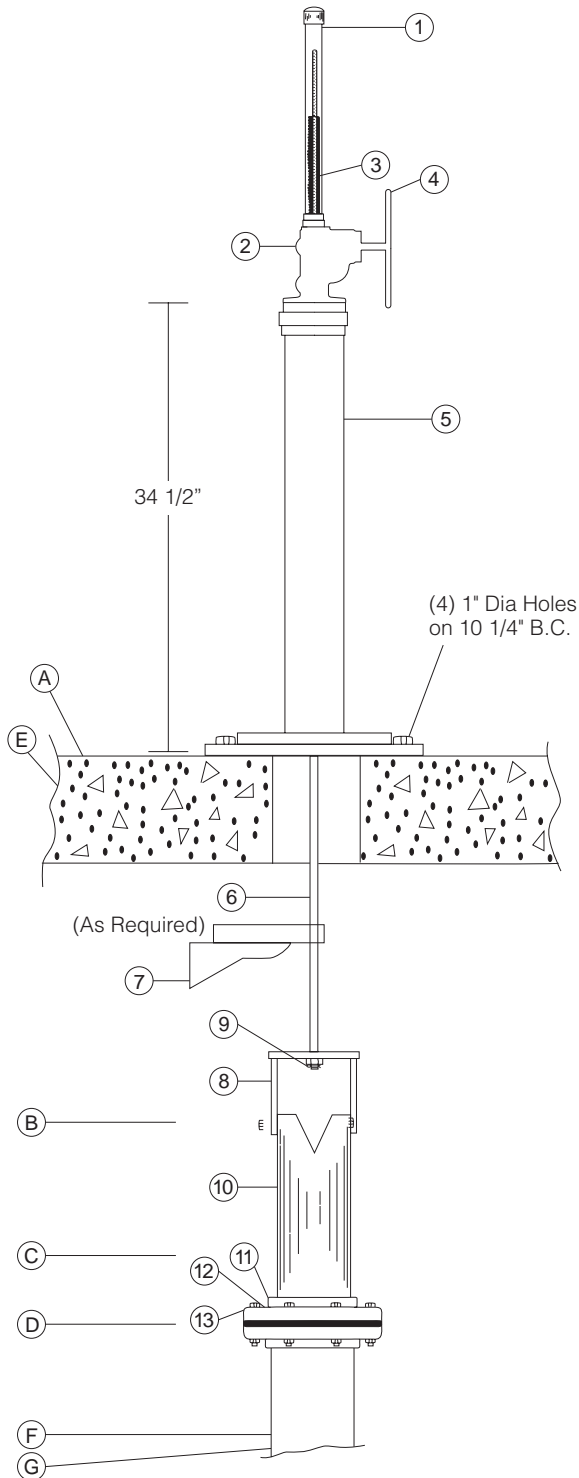
TROY VALVE

Phone: 800-232-4442 Fax: 570-297-4136
570-297-2125

Visit our website www.TROYVALVE.com

Troy Valve Dimensional Data Sheet

“Safety Lock” Self Locking Rack & Pinion Rising Stem Telescoping Valve Through Floor Mounting S.S. Floorstand



ITEM	DESCRIPTION	MATERIAL
1	RACK COVER	ACRYLIC
2	GEAR OPERATOR	C.I. & STEEL
3	RACK	STEEL
4	HANDWHEEL	CAST IRON
5	FLOORSTAND	STAINLESS STEEL
6	LIFT ROD	STAINLESS STEEL
7	STEM GUIDE, BUSHED	DUCTILE IRON & BRZ.
8	BAIL	STAINLESS STEEL
9	JAM NUT	STAINLESS STEEL
10	SLIP TUBE	STAINLESS STEEL
11	GASKET RETAINER	STAINLESS STEEL
12	SPLIT GASKET	BUNA-N
13	FLANGE	CAST IRON

CONTRACTOR TO PROVIDE INFORMATION	
A Floor Elevation	D Flange Elevation
B High Water Elevation	E Floor Thickness
Vee Notch <input type="checkbox"/> Required <input type="checkbox"/> Not Required	F Riser Pipe Nominal Size
C Low Water Elevation	G Pipe Material

PROJECT: _____

CONTRACTOR: _____

SALES REPRESENTATIVE: _____

NO. REQ'D.: _____ **SIZE:** _____

SALES ORDER: _____

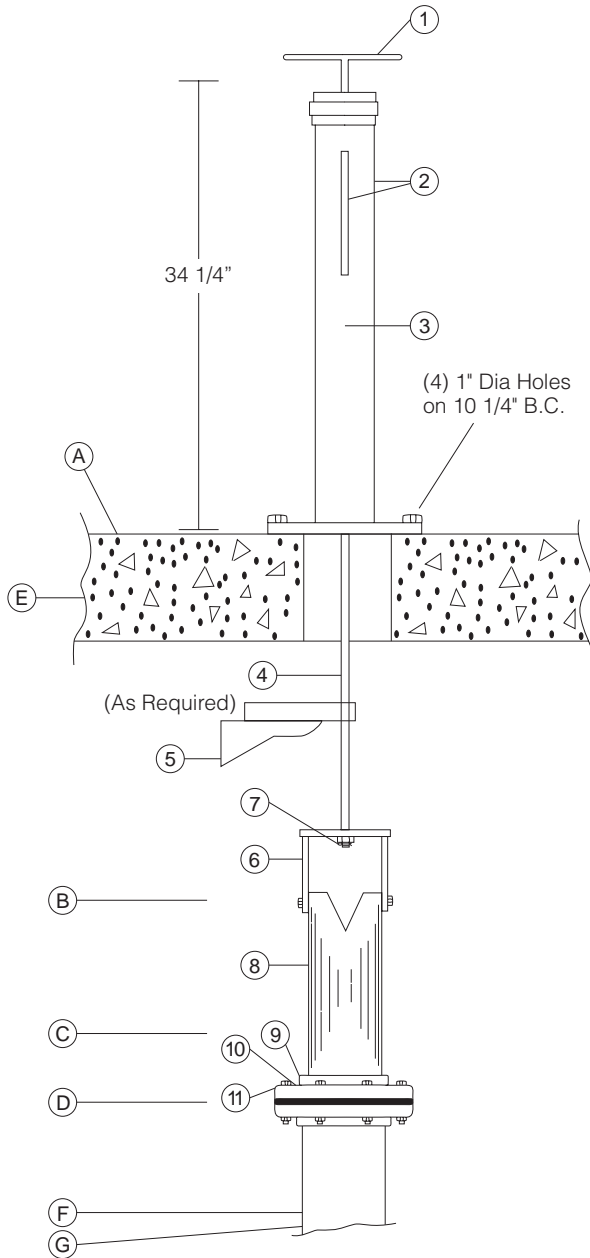
TROY VALVE

Phone: 800-232-4442 Fax: 570-297-4136
570-297-2125

Visit our website www.TROYVALVE.com

Troy Valve Dimensional Data Sheet

“Safety Lock” Self Locking Non Rising Telescoping Valve



ITEM	DESCRIPTION	MATERIAL
1	HANDWHEEL	CAST IRON
2	FLOORSTAND W/ POSITION INDICATORS	CAST IRON OR S.S.
3	TRAVEL TUBE (INTERNAL)	STAINLESS STEEL
4	LIFT ROD	STAINLESS STEEL
5	STEM GUIDE	DUCTILE IRON OR S.S.
6	BAIL	STAINLESS STEEL
7	JAM NUT	STAINLESS STEEL
8	SLIP TUBE	STAINLESS STEEL
9	GASKET RETAINER	STAINLESS STEEL
10	SPLIT GASKET	BUNA-N
11	FLANGE	CAST IRON

CONTRACTOR TO PROVIDE INFORMATION	
A Floor Elevation	D Flange Elevation
B High Water Elevation	E Floor Thickness
Vee Notch <input type="checkbox"/> Required <input type="checkbox"/> Not Required	F Riser Pipe Nominal Size
C Low Water Elevation	G Pipe Material

PROJECT: _____

CONTRACTOR: _____

SALES REPRESENTATIVE: _____

NO. REQ'D.: _____ **SIZE:** _____

SALES ORDER: _____

TROY VALVE

Phone: 800-232-4442 Fax: 570-297-4136
570-297-2125

Visit our website www.TROYVALVE.com